

GA Series
Single Lever Lavatory Faucet
(w/o Pop-up Waste)



Features

- Design Concept is Gorgeous and Advance
- Long lasting, comfort glide mechanism for a smooth operation
- High corrosion resistance plating
- TOTO aerated water technology, ECOCAP adds air to the water to achieve full water jet with less amount of water usage.

Specifications

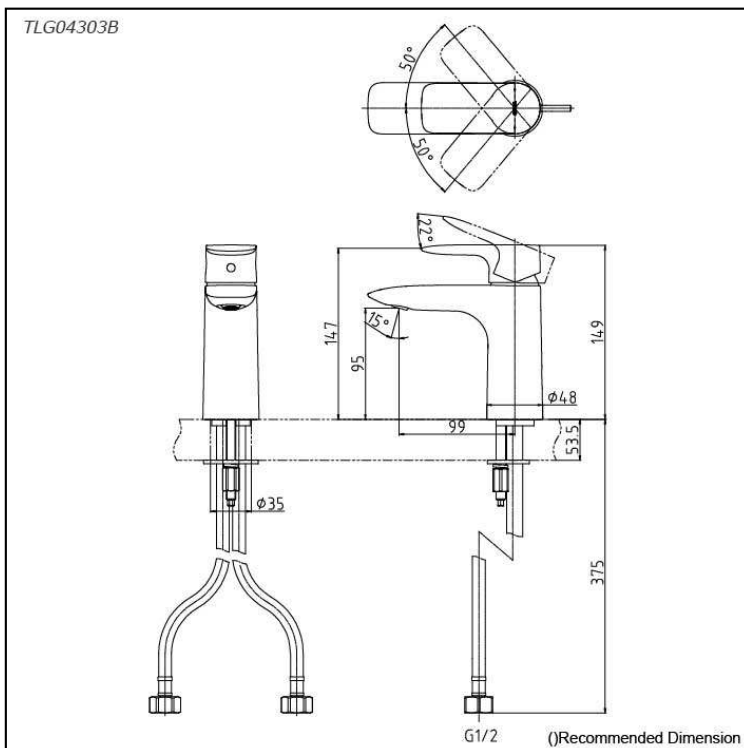
Finish: Chrome
Material: Brass
Water Pressure: 0.05Mpa~1.0Mpa

Parts description

- **TLG04303B**
Single Lever Lavatory Faucet (w/o pop-up waste)



reddot award 2018
winner



Flow Rate

TLG04303B

