

*GA Series  
Single Lever Lavatory Faucet  
(Semi-tall Vessel)  
(w/o Pop-up Waste)*



## **F**eatures

- Design Concept is Gorgeous and Advance
- Long lasting, comfort glide mechanism for a smooth operation
- High corrosion resistance plating
- TOTO aerated water technology, ECOCAP adds air to the water to achieve full water jet with less amount of water usage.

## **S**pecifications

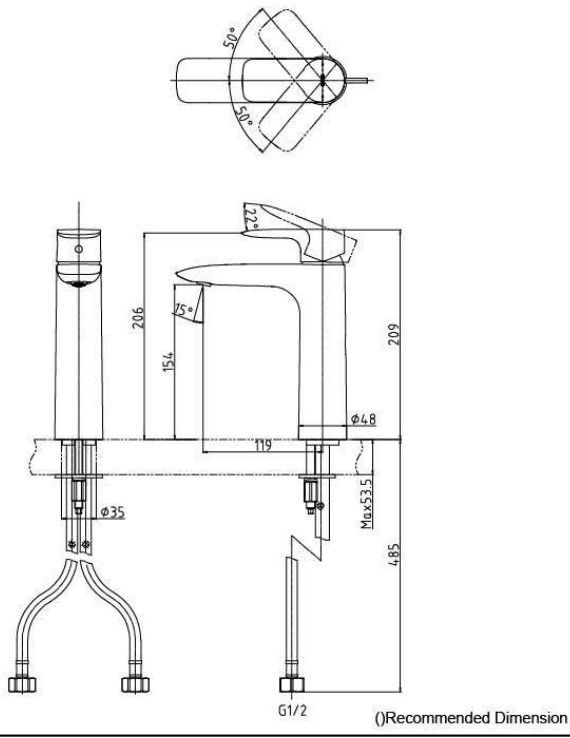
Finish: Chrome  
Material: Brass  
Water Pressure: 0.05Mpa~1.0Mpa

## **P**arts description

- **TLG04306B**  
Single Lever Lavatory Faucet (Semi-tall Vessel) (w/o Pop-up Waste)



TLG04306B



TLG04306B

FAUCETS

## Flow Rate

TLG04306B

