

*GA Series  
Single Lever Lavatory Faucet  
(Tall Vessel)  
(w/o Pop-up Waste)*



## **F**eatures

- Design Concept is Gorgeous and Advance
- Long lasting, comfort glide mechanism for a smooth operation
- High corrosion resistance plating
- TOTO aerated water technology, ECOCAP adds air to the water to achieve full water jet with less amount of water usage.

## **S**pecifications

Finish: Chrome

Material: Brass

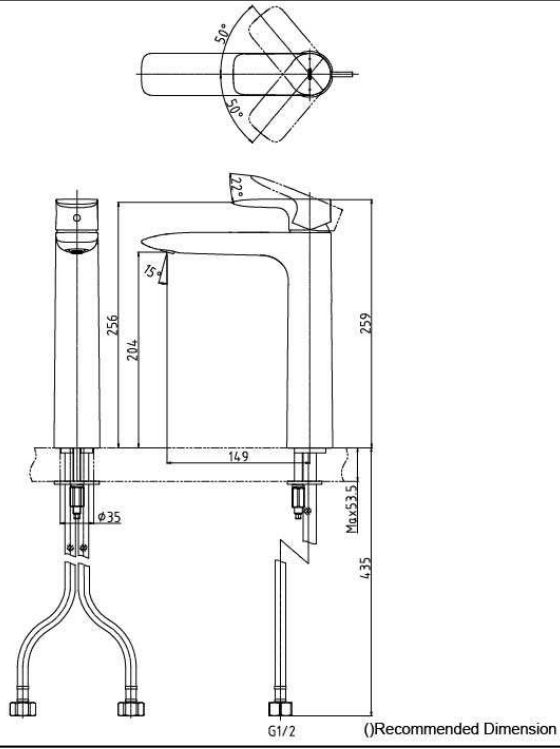
Water Pressure: 0.05Mpa~1.0Mpa

## **P**arts description

- **TLG04308B**  
Single Lever Lavatory Faucet (Tall Vessel)  
(w/o Pop-up Waste)



TLG04308B



TLG04308B

FAUCETS

## Flow Rate

TLG04308B

