

*GO Series
Single Lever Lavatory Faucet
(Side handle)
(w/ Pop-up Waste)*



Features

- Design Concept is Gorgeous and Organic.

Specifications

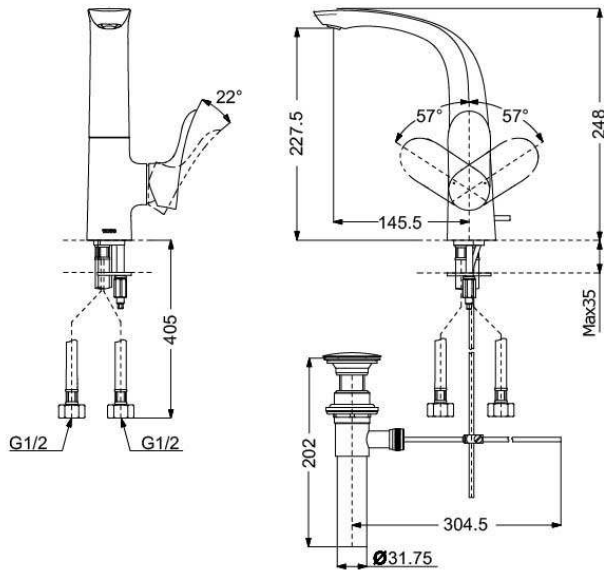
Finish: Chrome
Material: Brass
Water Pressure: 0.05Mpa~1.0Mpa

Parts description

- **TLG01309B**
Single Lever Lavatory Faucet (Side handle)
(w/ Pop-up Waste)



TLG01309B



★ Installation hole = $\varnothing 35$

(J)Recommended Dimension

TLG01309B

FAUCETS

Flow Rate

TLG01309B

