

*GR Series
Single Lever Lavatory Faucet
(Semi-tall Vessel)
(w/o Pop-up Waste)*



Features

- Design Concept is Gorgeous and Regal
- Long lasting, comfort glide mechanism for a smooth operation
- High corrosion resistance plating
- TOTO aerated water technology, ECOCAP adds air to the water to achieve full water jet with less amount of water usage.

Specifications

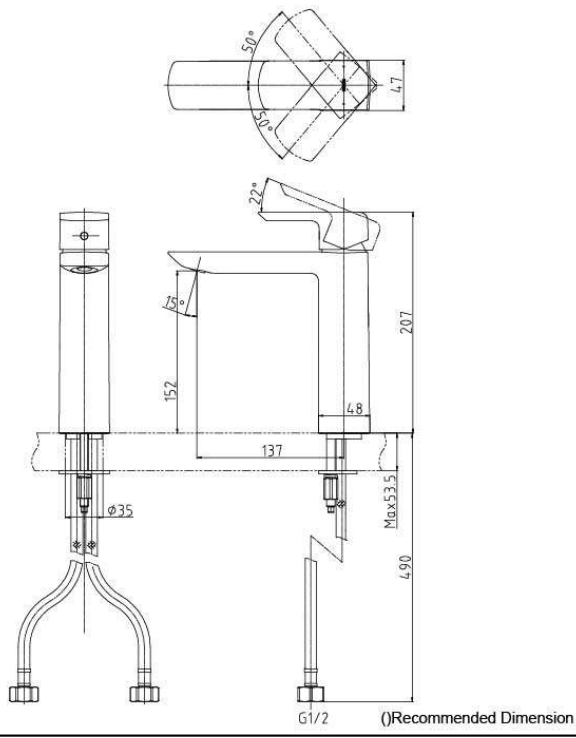
Finish: Chrome
Material: Brass
Water Pressure: 0.05Mpa~1.0Mpa

Parts description

- **TLG02306B**
Single Lever Lavatory Faucet (Semi-tall Vessel) (w/o Pop-up Waste)



TLG02306B



TLG02306B

FAUCETS

Flow Rate

TLG02306B

