

*GR Series
Single Lever Lavatory Faucet
(Tall Vessel)
(w/o Pop-up Waste)*



Features

- Design Concept is Gorgeous and Regal
- Long lasting, comfort glide mechanism for a smooth operation
- High corrosion resistance plating
- TOTO aerated water technology, ECOCAP adds air to the water to achieve full water jet with less amount of water usage.

Specifications

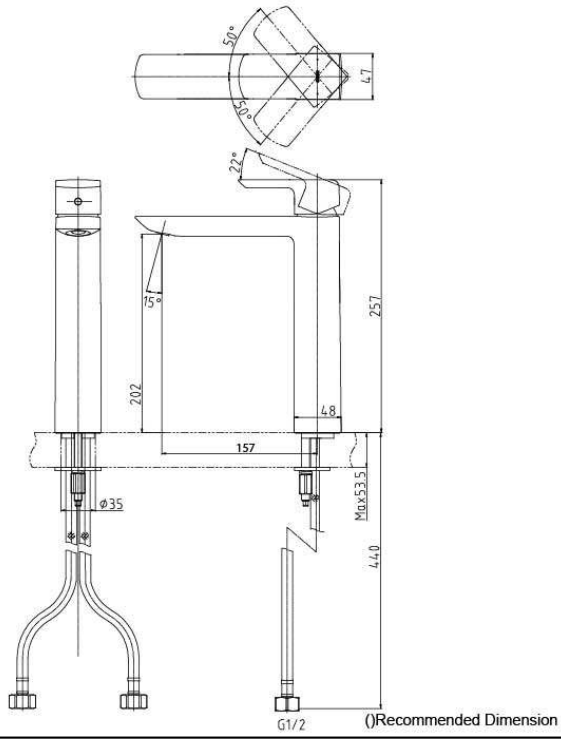
Finish: Chrome
Material: Brass
Water Pressure: 0.05Mpa~1.0Mpa

Parts description

- **TLG02308B**
Single Lever Lavatory Faucet (Tall Vessel)
(w/o Pop-up Waste)



TLG02308B



TLG02308B

FAUCETS

Flow Rate

TLG02308B

