

*GS Series  
Single Lever Lavatory Faucet  
(Semi-tall Vessel)  
(w/ Pop-up Waste)*



### **F**eatures

- Design Concept is Gorgeous and Regal
- Long lasting, COMFORT GLIDE mechanism for a smooth operation
- High corrosion resistance plating
- TOTO aerated water technology, ECOCAP adds air to the water to achieve full water jet with less amount of water usage

### **S**pecifications

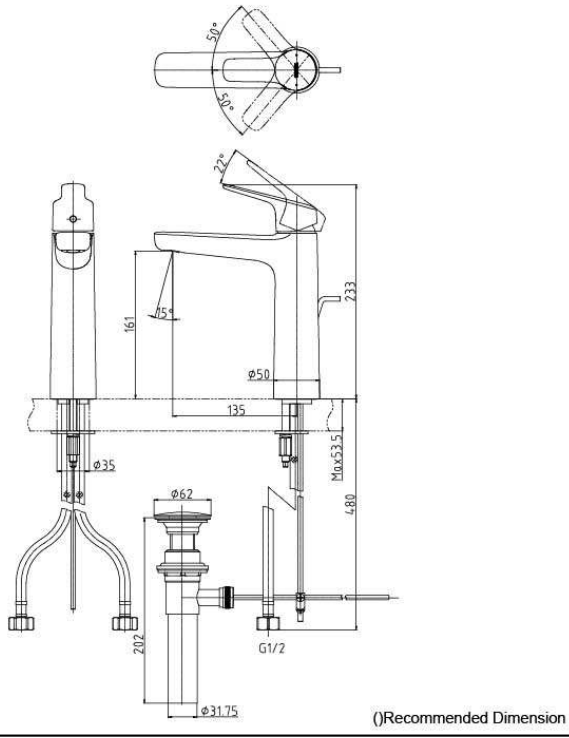
Finish: Chrome  
Material: Brass  
Water Pressure: 0.05Mpa~1.0Mpa

### **P**arts description

- **TLG03303B**  
Single Lever Lavatory Faucet (Semi-tall Vessel) (w/ Pop-up Waste)



TLG03303B



TLG03303B

FAUCETS

## Flow Rate

TLG03303B

