

*GS Series
Single Lever Lavatory Faucet
(Semi-tall Vessel)
(w/o Pop-up Waste)*



Features

- Design Concept is Gorgeous and Regal
- Long lasting, COMFORT GLIDE mechanism for a smooth operation
- High corrosion resistance plating
- TOTO aerated water technology, ECOCAP adds air to the water to achieve full water jet with less amount of water usage

Specifications

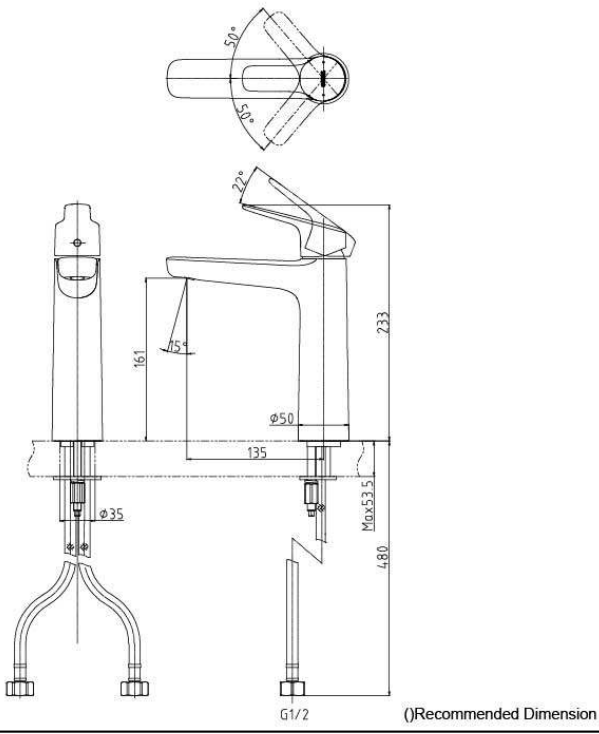
Finish: Chrome
Material: Brass
Water Pressure: 0.05Mpa~1.0Mpa

Parts description

- **TLG03304B**
Single Lever Lavatory Faucet (Semi-tall Vessel) (w/o Pop-up Waste)



TLG03304B



TLG03304B

FAUCETS

Flow Rate

TLG03304B

