

*GS Series  
Single Lever Lavatory Faucet  
(Tall Vessel)  
(w/ Pop-up Waste)*



## **F**eatures

- Design Concept is Gorgeous and Regal
- Long lasting, COMFORT GLIDE mechanism for a smooth operation
- High corrosion resistance plating
- TOTO aerated water technology, ECOCAP adds air to the water to achieve full water jet with less amount of water usage

## **S**pecifications

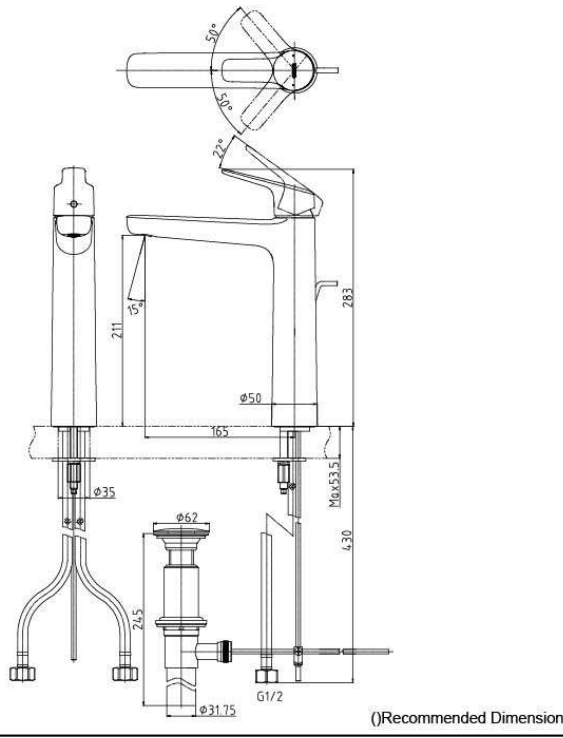
Finish: Chrome  
Material: Brass  
Water Pressure: 0.05Mpa~1.0Mpa

## **P**arts description

- **TLG03305B**  
Single Lever Lavatory Faucet (Tall Vessel)  
(w/ Pop-up Waste)



TLG03305B



TLG03305B

FAUCETS

## Flow Rate

TLG03305B

