

*GS Series
Single Lever Lavatory Faucet
(Tall Vessel)
(w/o Pop-up Waste)*



Features

- Design Concept is Gorgeous and Regal
- Long lasting, COMFORT GLIDE mechanism for a smooth operation
- High corrosion resistance plating
- TOTO aerated water technology, ECOCAP adds air to the water to achieve full water jet with less amount of water usage

Specifications

Finish: Chrome

Material: Brass

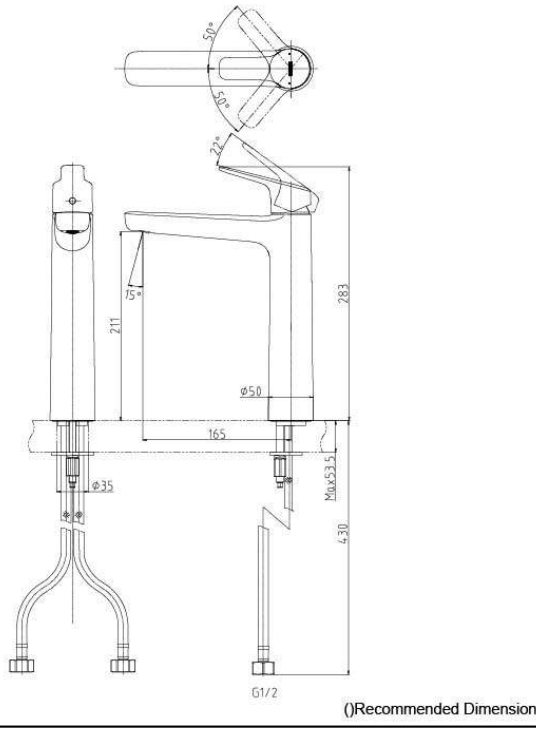
Water Pressure: 0.05Mpa~1.0Mpa

Parts description

- **TLG03306B**
Single Lever Lavatory Faucet (Tall Vessel)
(w/o Pop-up Waste)



TLG03306B



TLG03306B

FAUCETS

Flow Rate

TLG03306B

