

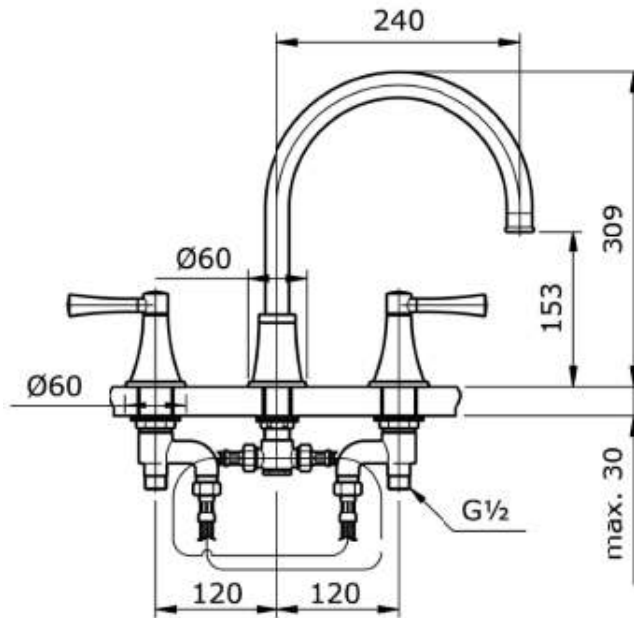
TOTO

Perfection by Design



Type No. : TX467SGV1
Description : 3-hole Deck Mounted Bath Filler

Technical Specification :



Copyright © W. ATELIER SDN. BHD., All rights reserved.

All photos and specification in this brochure are only for illustration and do not necessarily represent the final standard specification. Manufacturer reserve the rights to make further improvements and changes, where appropriate during design development. Therefore, they shall not form part of an offer or contract.