

# TOTO

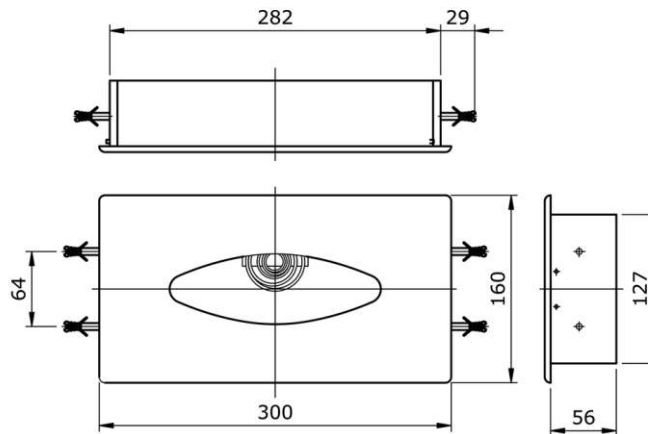
*Perfection by Design*

**Type No.** : TX8  
**Description** : Recessed Tissue Dispenser  
Size : 282 x 127 x 56mm



## Technical Specification :

---



---

Copyright © W. ATELIER SDN. BHD., All rights reserved.

All photos and specification in this brochure are only for illustration and do not necessarily represent the final standard specification. Manufacturer reserve the rights to make further improvements and changes, where appropriate during design development. Therefore, they shall not form part of an offer or contract.