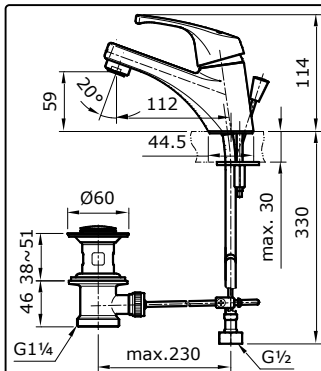
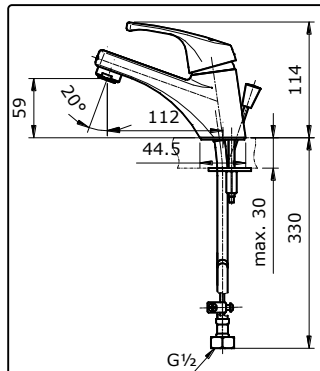


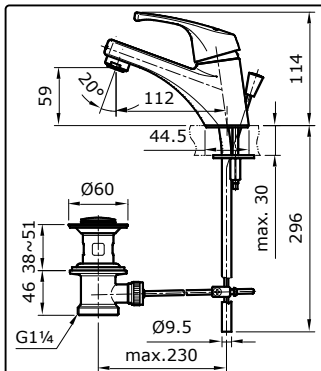
### SPECIFICATIONS



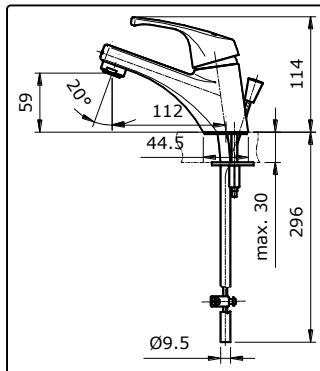
**TX 108 LDN**  
"DONNA" Single Lever Lavatory Faucet  
w/ 1 1/4" Pop-Up Waste



**TX 108 LDV1**  
"DONNA" Single Lever Lavatory Faucet  
w/o Pop-Up Waste



**TX 108 LDV3N**  
"DONNA" Single Lever Lavatory Faucet  
w/ 1 1/4" Pop-Up Waste & Copper Pipe



**TX 108 LDV4**  
"DONNA" Single Lever Lavatory Faucet  
w/ Copper Pipe w/o Pop-Up Waste

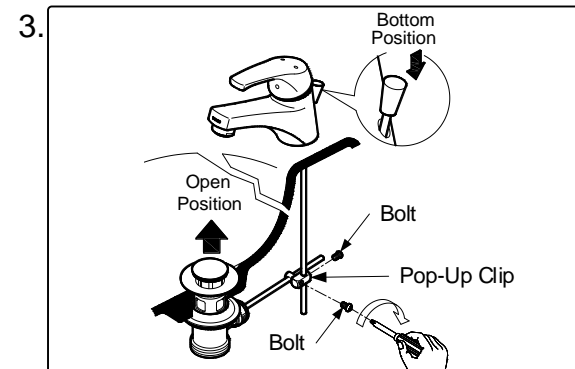
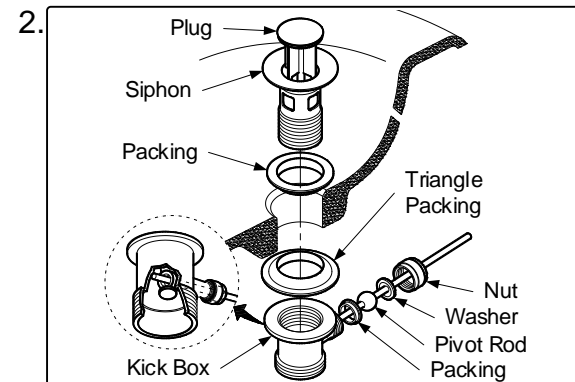
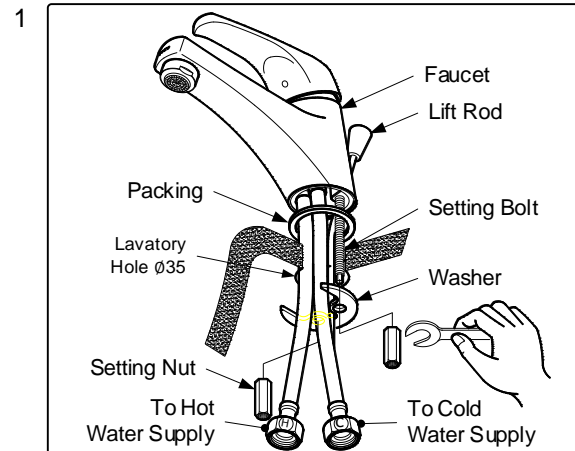
### OPERATING CONDITIONS

1. Water supply pressure : 0.05 ~ 0.75 MPa
2. Ensure that water supply is clean ( No Sand, Dirt, Etc )

### MAINTENANCE

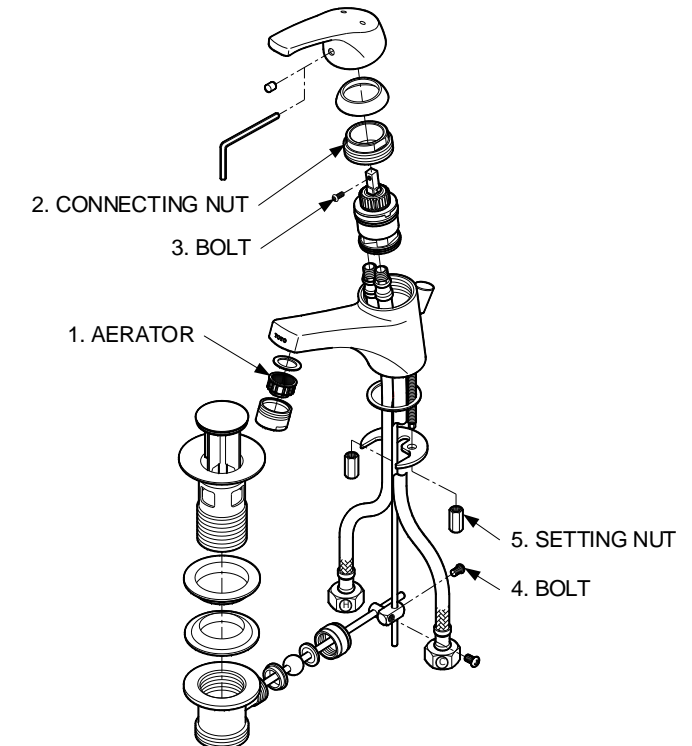
Always wipe plated area with dry soft cloth, and sometimes wipe it with cloth soaked in mild soap.

### INSTALLATION



### TROUBLESHOOTING

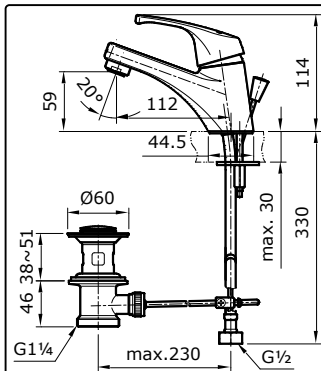
| PROBLEM                     | CHECK POINT | SOLUTION         |
|-----------------------------|-------------|------------------|
| Flow rate unsatisfactory    | 1           | Remove and clean |
| Water leaks around the body | 2           | Tighten          |
| Handle is loose             | 3           | Tighten          |
| Plug cannot open and close  | 4           | Tighten          |
| Body swinging               | 5           | Tighten          |



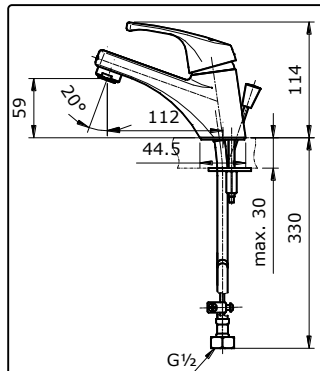
### ATTENTION

1. Don't use abrasive cleaning material such as; detergents containing hydrochloric acids, thinner, polishing powder, and nylon brush.
2. As the product model is constantly updated, the actual product may not look the same as it shown in the diagram, but the basic installation principles are the same.

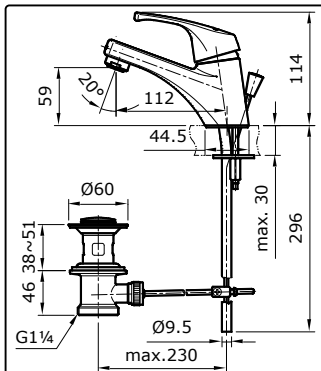
### SPESIFIKASI



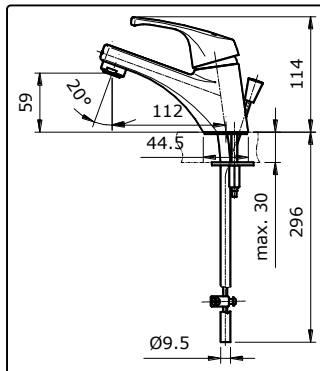
**TX 108 LDN**  
"DONNA" Single Lever Lavatory Faucet  
w/ 1 1/4" Pop-Up Waste



**TX 108 LDV1**  
"DONNA" Single Lever Lavatory Faucet  
w/o Pop-Up Waste



**TX 108 LDV3N**  
"DONNA" Single Lever Lavatory Faucet  
w/ 1 1/4" Pop-Up Waste & Copper Pipe



**TX 108 LDV4**  
"DONNA" Single Lever Lavatory Faucet  
w/ Copper Pipe w/o Pop-Up Waste

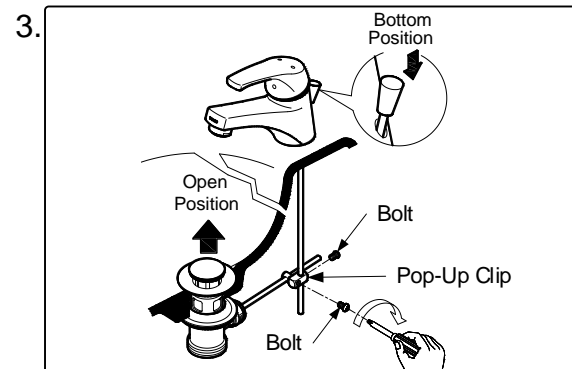
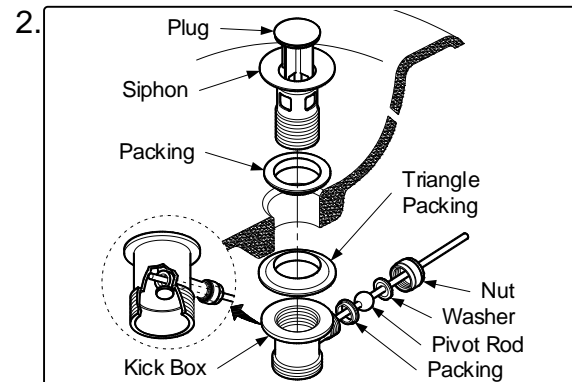
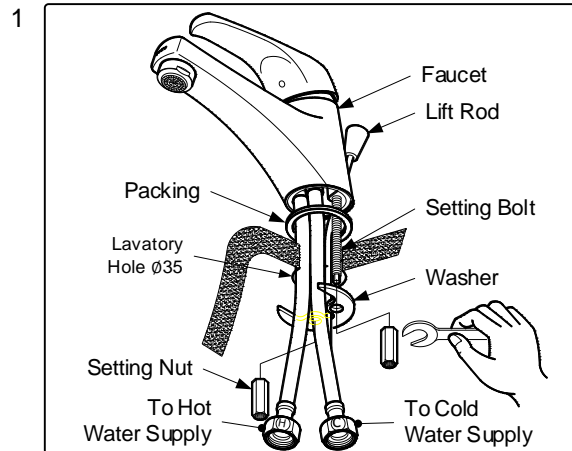
### KONDISI OPERASIONAL

1. Tekanan sumber air: 0.05 ~ 0.75 MPa.
2. Pastikan kondisi sumber air adalah bersih (tidak ada pasir, kotoran dan lain lain)

### PEMELIHARAAN

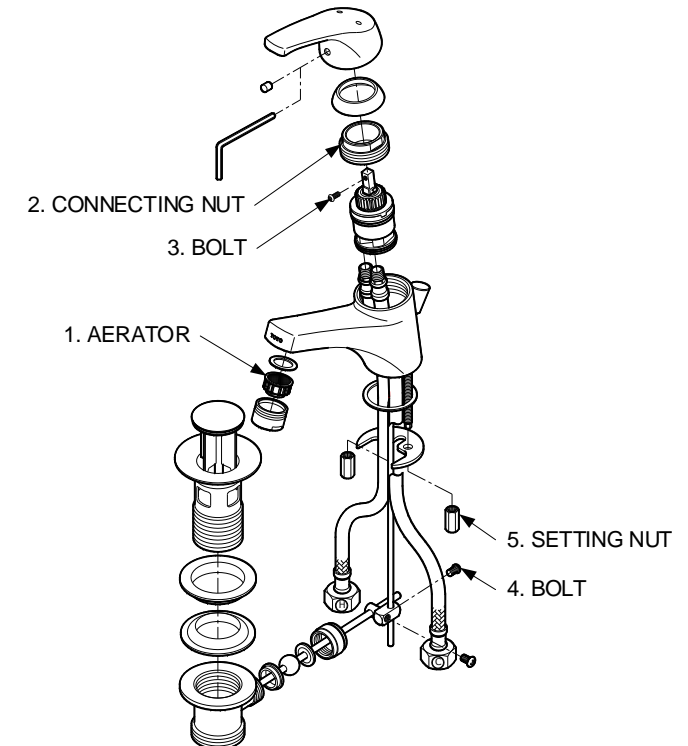
Selalu bersihkan area yang berlapis dengan kain lembut kering, dan sesekali bersihkan dengan kain yang direndam dalam sabun yang dicampur air.

### PEMASANGAN



### PENYELESAIAN MASALAH

| MASALAH                             | POIN PERIKSA | SOLUSI              |
|-------------------------------------|--------------|---------------------|
| Laju aliran tidak memuaskan         | 1            | Lepas dan bersihkan |
| Air bocor disekitar bodi            | 2            | Kencangkan          |
| Handle longgar                      | 3            | Kencangkan          |
| Plug tidak bisa membuka dan menutup | 4            | Kencangkan          |
| Bodi goyah                          | 5            | Kencangkan          |



### PERHATIAN

1. Jangan gunakan bahan pembersih yang bersifat abrasif seperti deterjen yang mengandung asam klorida, tinner, bubuk polishing dan sikat nilon.
2. Karena model produk terus mengalami pembaharuan, aktual produk mungkin tidak sama dengan gambar, tapi prinsip dasar pemasangan adalah sama.