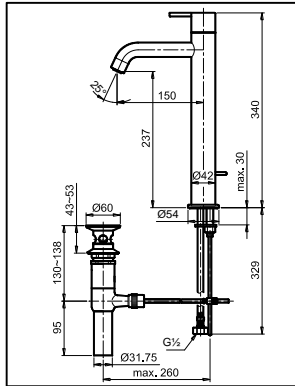
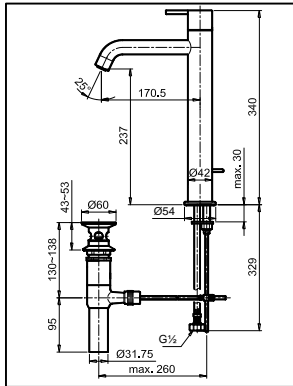


SPECIFICATIONS



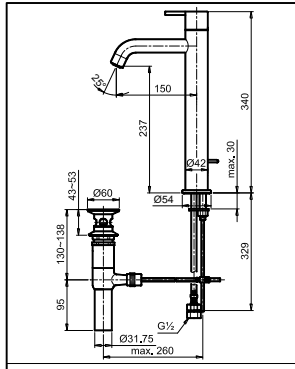
TX116LEN

"EGO" Extended Single Lever Lavatory Faucet w/ 1" Pop-Up Waste (Height=340 mm)



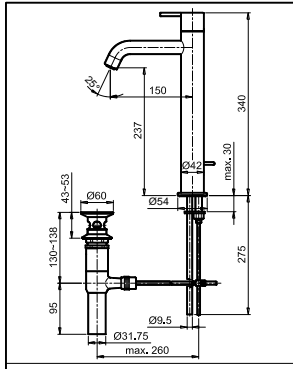
TX116LEV1N

"EGO" Extended Single Lever Lavatory Faucet w/ 1" Pop-Up Waste (Height=340 mm)



TX116LEV2N

"EGO" Extended Single Lever Lavatory Faucet w/ 1 1/4" Pop-Up Waste (Height=340 mm)



TX116LEV3N

"EGO" Extended Single Lever Lavatory Faucet w/ 1" Pop-Up Waste & Copper Pipe (Height=340 mm)

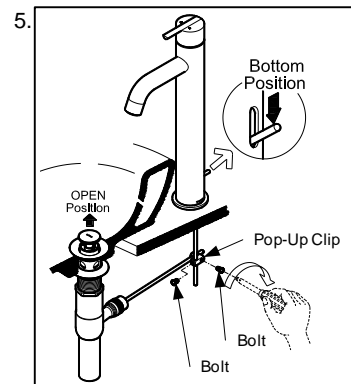
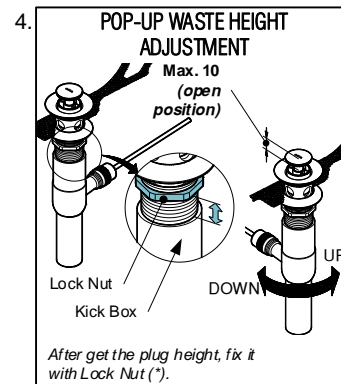
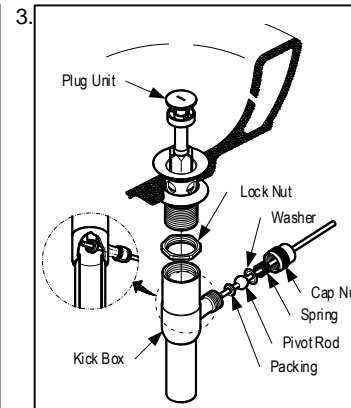
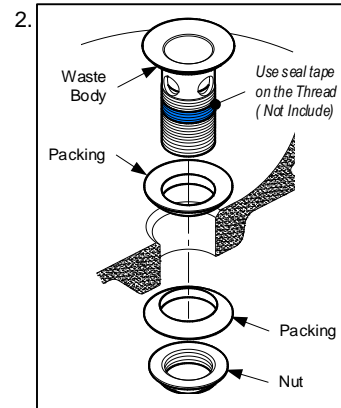
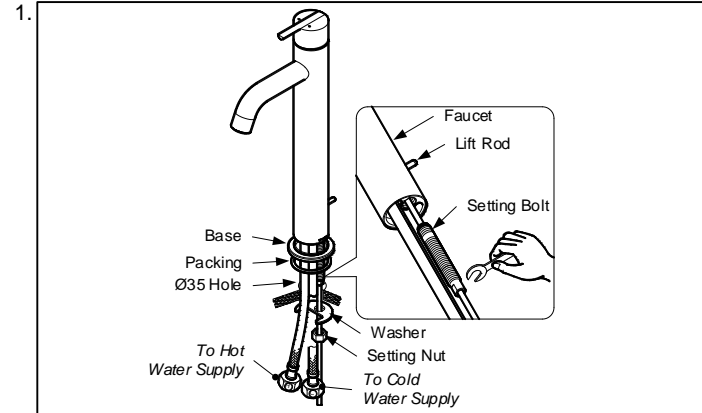
OPERATING CONDITIONS

1. Water supply pressure : 0.05 ~ 0.75 MPa.
2. Ensure that water supply is clean (No Sand, Dirt, Etc.).

ATTENTION

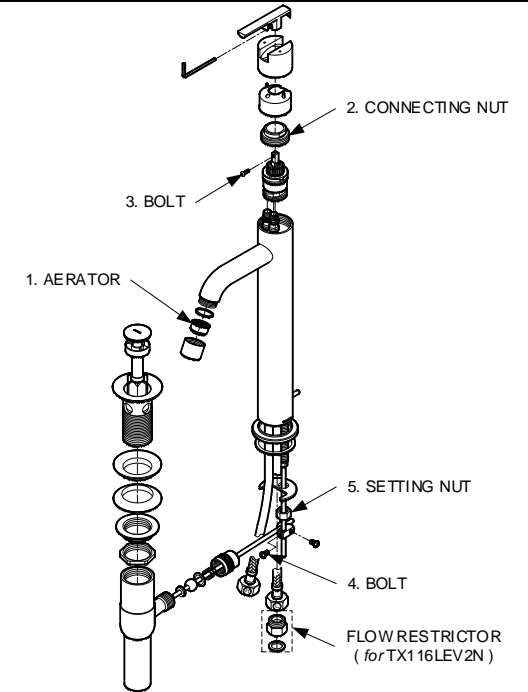
1. Don't use abrasive cleaning material such as; detergents containing hydrochloric acids, thinner, polishing powder, and nylon brush.
2. As the product model is constantly updated, the actual product may not look the same as it shown in the diagram, but the basic installation principles are the same.

INSTALLATION



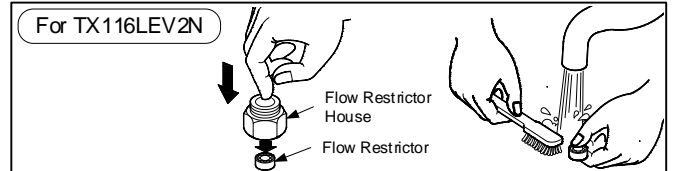
TROUBLESHOOTING

| PROBLEM | CHECK POINT | SOLUTION |
|-------------------------------|-------------|------------------|
| Flow rate unsatisfactory | 1 | Remove and clean |
| Water leaks around the handle | 2 | Tighten |
| Handle is loose | 3 | Tighten |
| Plug cannot open and close | 4 | Tighten |
| Body swinging | 5 | Tighten |

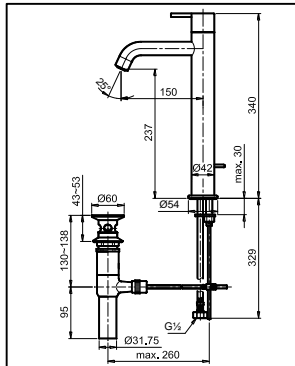


MAINTENANCE

1. Always wipe chrome plated area with dry soft cloth, and sometimes wipe it with cloth soaked in mild soap.
2. Clean the Flow restrictor periodically with soft brush

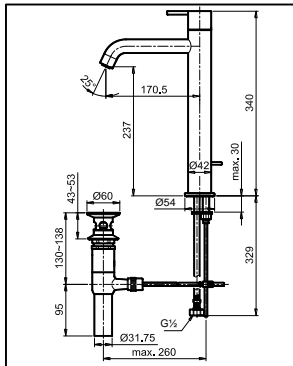


SPESIFIKASI



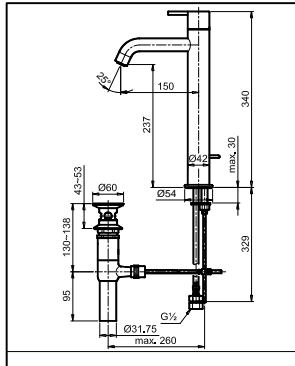
TX116LEN

"EGO" Extended Single Lever Lavatory Faucet w/ 1" Pop-Up Waste (Height = 340 mm)



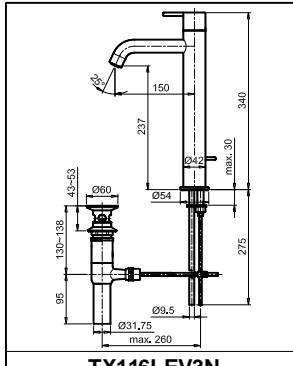
TX116LEV1N

"EGO" Extended Single Lever Lavatory Faucet w/ 1" Pop-Up Waste (Height = 340 mm)



TX116LEV2N

"EGO" Extended Single Lever Lavatory Faucet w/ 1 1/4" Pop-Up Waste (Height = 340 mm)



TX116LEV3N

"EGO" Extended Single Lever Lavatory Faucet w/ 1" Pop-Up Waste & Copper Pipe (Height = 340 mm)

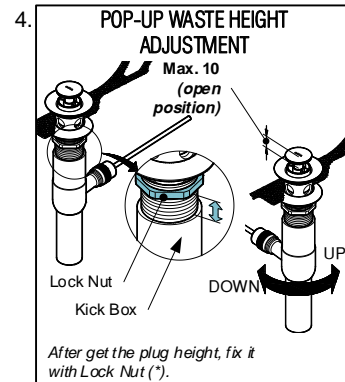
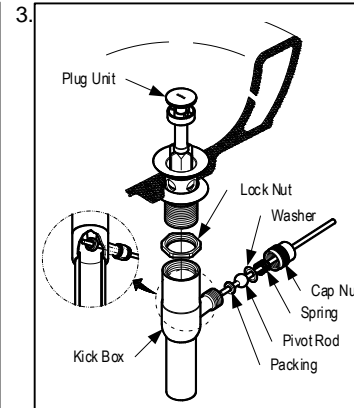
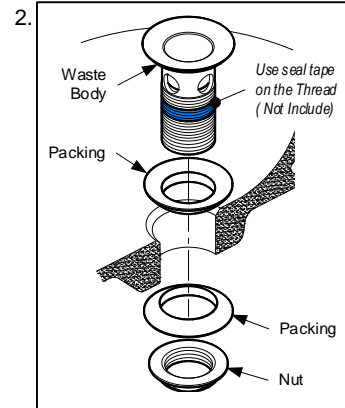
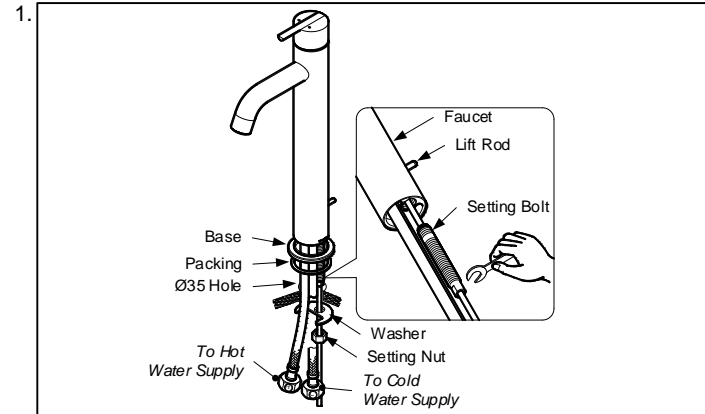
KONDISI OPERASIONAL

1. Tekanan sumber air: 0.05 ~ 0.75 MPa.
2. Pastikan kondisi sumber air adalah bersih (tidak ada pasir, kotoran dan lain lain)

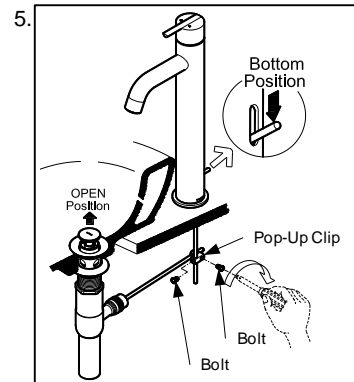
PERHATIAN

1. Jangan gunakan bahan pembersih yang bersifat abrasif seperti deterjen yang mengandung asam klorida, tinner, bubuk polishing dan sikat nilon.
2. Karena model produk terus mengalami pembaharuan, aktual produk mungkin tidak sama dengan gambar, tapi prinsip dasar pemasangan adalah sama.

PEMASANGAN

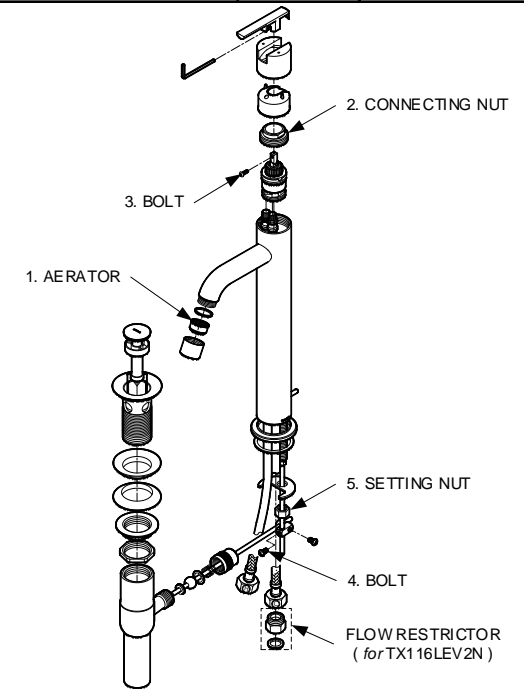


After get the plug height, fix it with Lock Nut (*).



PENYELESAIAN MASALAH

| MASALAH | POIN PERIKSA | SOLUSI |
|-------------------------------------|--------------|---------------------|
| Laju aliran tidak memuaskan | 1 | Lepas dan bersihkan |
| Air bocor disekitar handle | 2 | Kencangkan |
| Handle longgar | 3 | Kencangkan |
| Plug tidak bisa membuka dan menutup | 4 | Kencangkan |
| Bodi goyah | 5 | Kencangkan |



PEMELIHARAAN

1. Selalu bersihkan area yang berlapis krom dengan kain lembut kering, dan sesekali bersihkan dengan kain yang direndam dalam sabun yang dicampur air.
2. Bersihkan Flow restrictor secara berkala dengan sikat lembut

