

GE Series
Single Lever Lavatory Faucet
(Semi-tall Vessel) (w/ Pop-up Waste)



Features

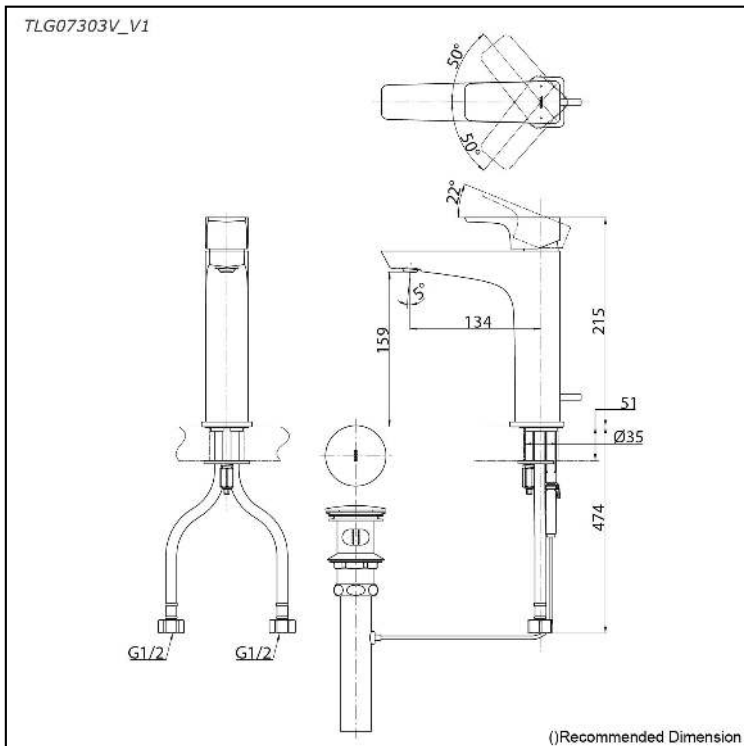
- A beauty of traditional craft in characteristic sculptural form
- V-shaped edge extends up to the end of the spout generate multi sided reflections
- Easy Installation and Usage
- Long lasting, COMFORT GLIDE mechanism for a smooth operation

Specifications

Finish: Chrome
Material: Brass
Water Pressure: 0.05MPa~1.0MPa

Parts description

- **TLG07303V_V1**
Single Lever Lavatory Faucet
(w/ Pop-up Waste)



Flow Rate

TLG07303V_V1

