

GE Series  
Single Lever Lavatory Faucet  
(Semi-tall Vessel) (w/o Pop-up Waste)



### Features

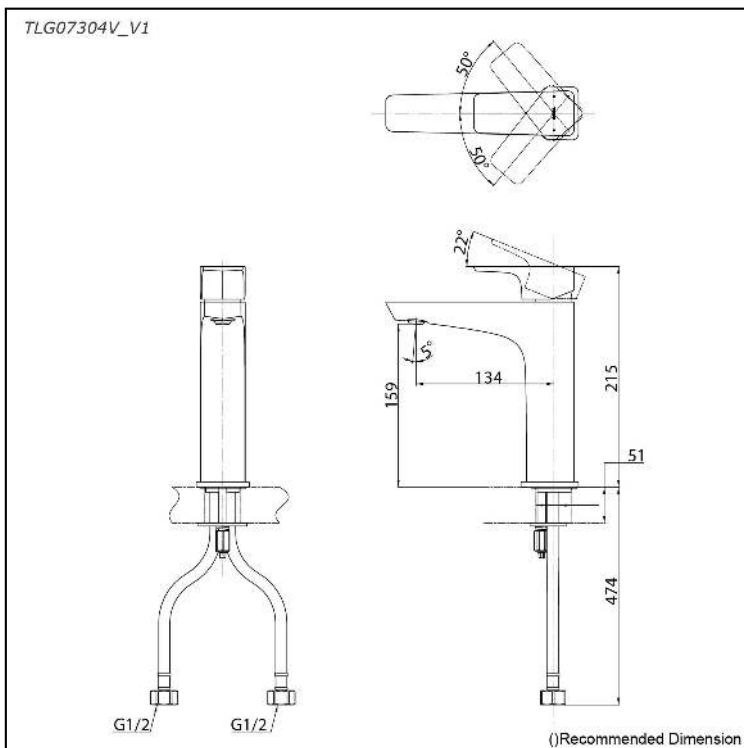
- A beauty of traditional craft in characteristic sculptural form
- V-shaped edge extends up to the end of the spout generate multi sided reflections
- Easy Installation and Usage
- Long lasting, COMFORT GLIDE mechanism for a smooth operation

### Specifications

Finish: Chrome  
Material: Brass  
Water Pressure: 0.05MPa~1.0MPa

### Parts description

- **TLG07304V\_V1**  
Single Lever Lavatory Faucet  
(w/o Pop-up Waste)



### Flow Rate

TLG07304V\_V1

