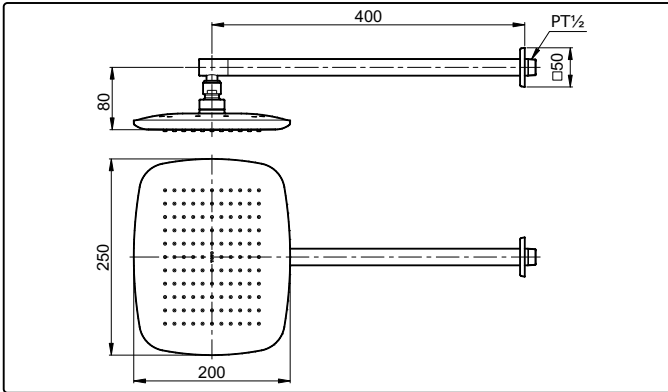


TOTO

FIXED SHOWER HEAD W/ PIPE TX488SON (L= 400 mm, Rectangle 250 x 200 mm) (WALL TYPE)

SPECIFICATIONS



OPERATING CONDITIONS

1. Water supply pressure : 0.05 ~ 0.75 MPa
2. Ensure that water supply is clean (No Sand, Dirt, Etc.)

MAINTENANCE

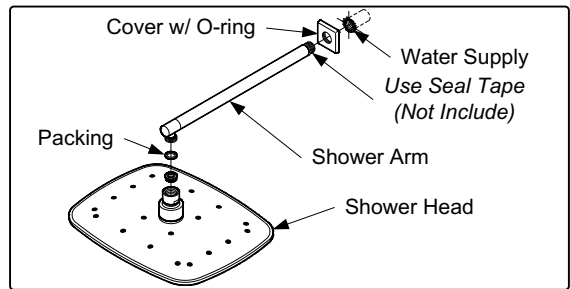
1. Always wipe chrome plated area with dry soft cloth, and sometimes wipe it with cloth soaked in mild soap.
2. Clean the Flow regulator periodically with soft brush

ATTENTION

Use of abrasive cleaning material such as; detergents containing hydrochloric acids, thinner, polishing powder, and nylon brush is not recommended.

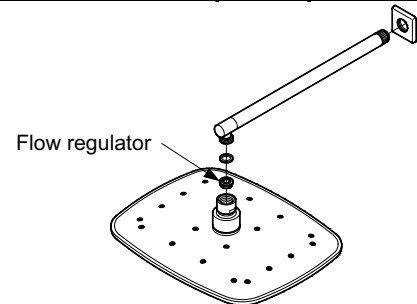
S06986N

INSTALLATION



TROUBLESHOOTING

PROBLEM	CHECK POINT	SOLUTION
Flow rate unsatisfactory	1	Remove and clean

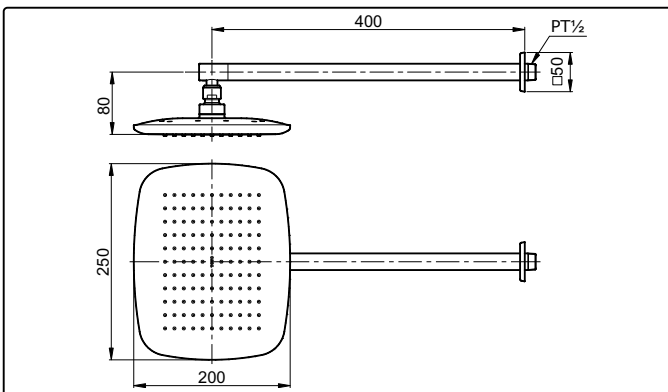


R4

TOTO

FIXED SHOWER HEAD W/ PIPE TX488SON (L= 400 mm, Rectangle 250 x 200 mm) (WALL TYPE)

SPECIFICATIONS



OPERATING CONDITIONS

1. Water supply pressure : 0.05 ~ 0.75 MPa
2. Ensure that water supply is clean (No Sand, Dirt, Etc.)

MAINTENANCE

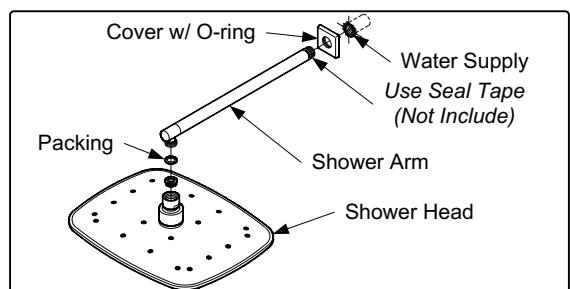
1. Always wipe chrome plated area with dry soft cloth, and sometimes wipe it with cloth soaked in mild soap.
2. Clean the Flow regulator periodically with soft brush

ATTENTION

Use of abrasive cleaning material such as; detergents containing hydrochloric acids, thinner, polishing powder, and nylon brush is not recommended.

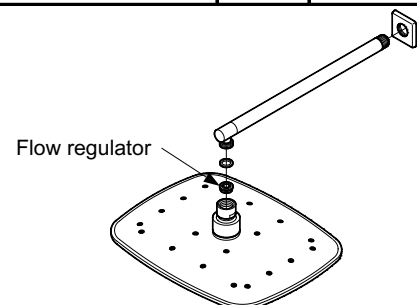
S06986N

INSTALLATION



TROUBLESHOOTING

PROBLEM	CHECK POINT	SOLUTION
Flow rate unsatisfactory	1	Remove and clean



R4