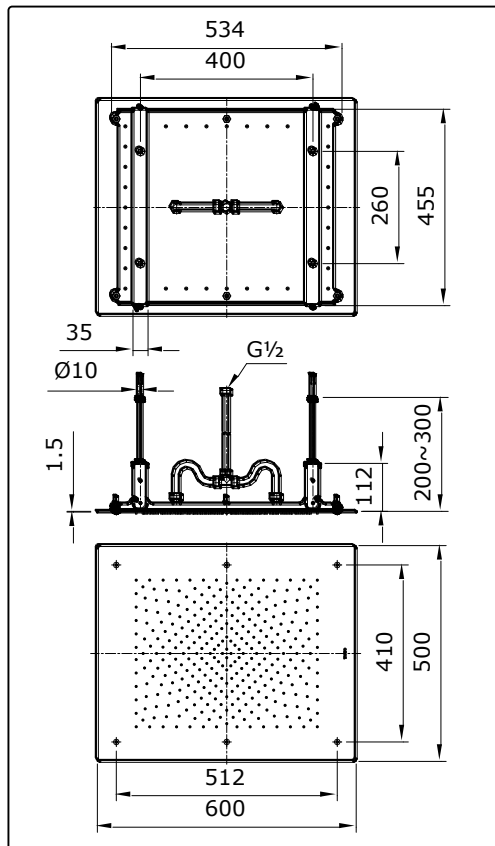


SPESIFIKASI



KONDISI OPERASIONAL

1. Tekanan sumber air: 0.05 ~ 0.75 MPa.
2. Pastikan kondisi sumber air adalah bersih (tidak ada pasir, kotoran dan lain lain)

MAINTENANCE

All Finishes : Clean the finish with mild soap and warm water. Wipe entire surface completely dry with clean soft cloth. Many cleaners may contain chemicals, such as ammonia, chlorine, toilet cleaner etc. which could adversely affect the finish and are not recommended for cleaning

PERHATIAN

1. Jangan gunakan pembersih atau pelarut abrasif pada faucet dan fitting.
2. Karena model produk terus mengalami pembaharuan, aktual produk mungkin tidak sama dengan gambar, tapi prinsip dasar pemasangan adalah sama.

PEMASANGAN

1.

** Borlah roof dengan lubang kira-kira sedalam 50 mm .*
2.

** Putar nut dengan wench 10 mm*
3.

** Pastikan ceiling dalam kondisi datar*

4.

Pasang holder ke anchoring. Kencangkan nut
5.

Sesuaikan ketinggian, jarak antara bagian atas holder ke bagian bawah ceiling adalah 112 mm
6.

** Pastikan kedua Holders dalam kondisi datar*
7.

Gantungkan shower head pengait pada holder, dorong keatas sisi yang lain ke holder.

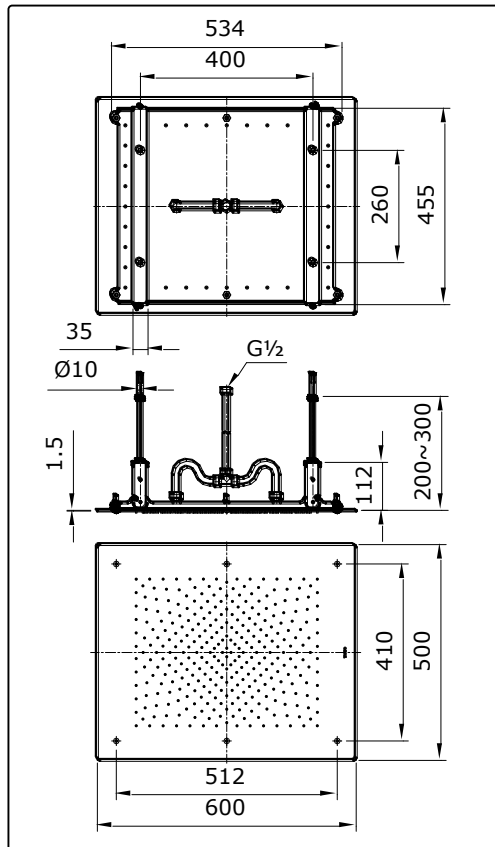
8.

Pasang bolt ke lubang holder sampai lubang shower head dan kencangkan dengan nuts
9.

Dorong panel ke atas, sesuaikan nozel, kencangkan screw dengan Kunci Allen 4 mm. (Jaga panel pada level yang sama dengan ceiling)
10.

Sambungkan shower head sumber air menggunakan hose. Jangan mengencangkan holder nut ketika shower head kondisi terpasang, karena dapat menyebabkan kebocoran.

SPECIFICATIONS



OPERATING CONDITIONS

1. Water supply pressure : 0.05 ~ 0.75 MPa.
2. Ensure that water supply is clean (No Sand, Dirt, Etc.)

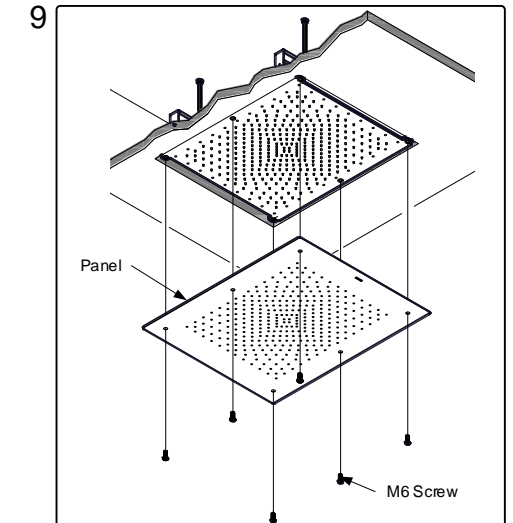
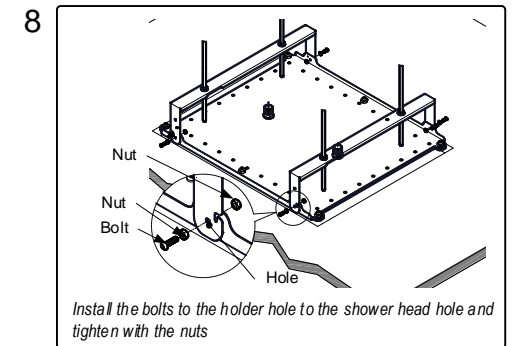
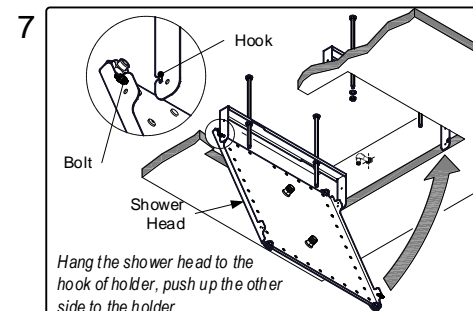
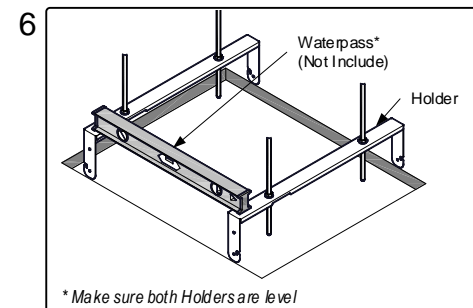
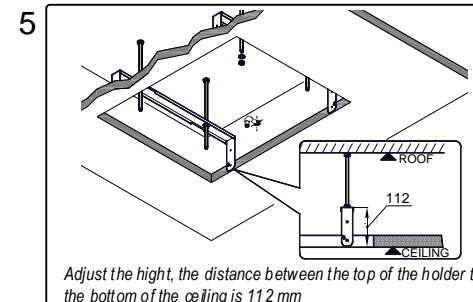
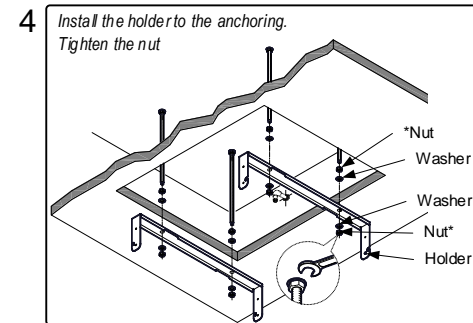
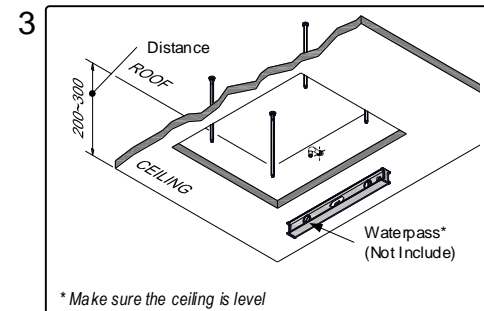
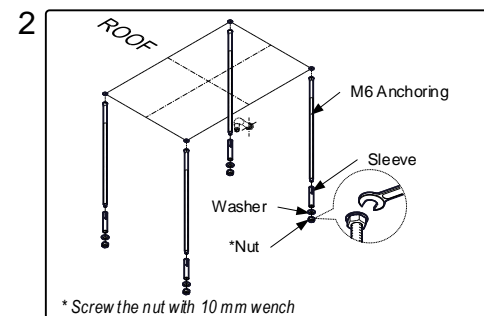
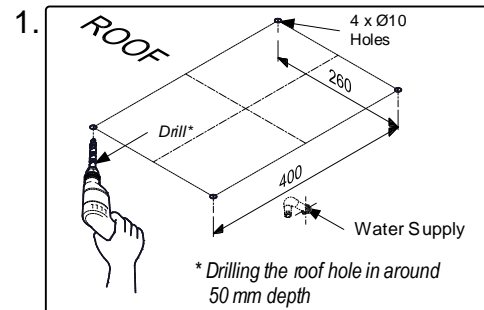
MAINTENANCE

All Finishes : Clean the finish with mild soap and warm water. Wipe entire surface completely dry with clean soft cloth. Many cleaners may contain chemicals, such as ammonia, chlorine, toilet cleaner etc. which could adversely affect the finish and are not recommended for cleaning

ATTENTION

1. Don't use abrasive cleaners or solvents on faucets and fittings.
2. As the product model is constantly updated, the actual product may not look the same as it shown in the diagram, but the basic installation principles are the same.

INSTALLATION



Push up the panel accord the nozzles, tighten the screw with 4 mm Allen Key. (Keep the panel in same level with ceiling)

